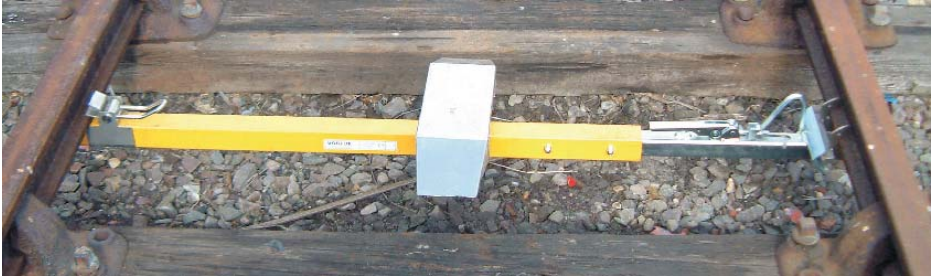


Vortok

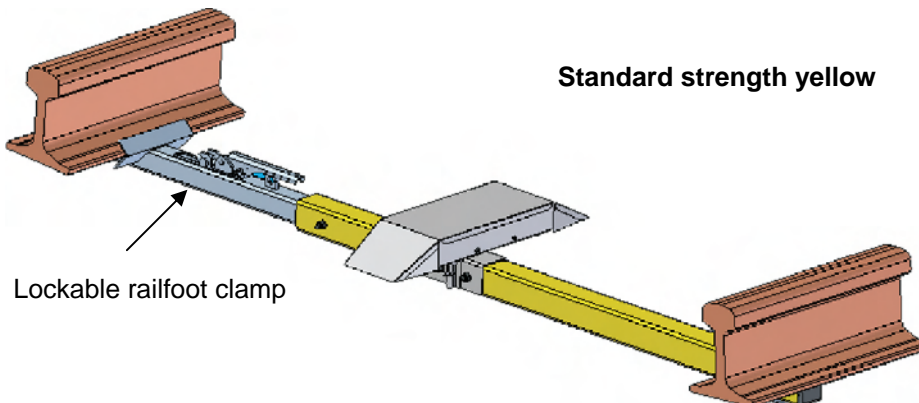
ESR/TSR Equipment

ENGINEERING SOLUTIONS FOR RAILWAY MAINTENANCE



Lightweight AWS Magnets

For Emergency and Temporary Speed Restrictions



VORTOK
INTERNATIONAL

© 2014 Vortok International

ACCEPTED BY
Network Rail

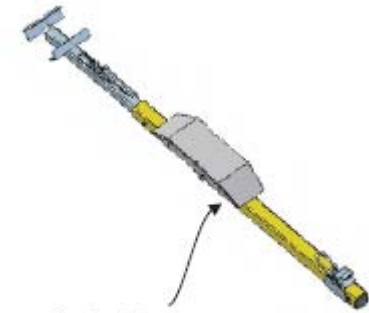
Vortok International

Innovation House
3 Western Wood Way
Langage Science Park
Plymouth, Devon, UK
PL7 5BG

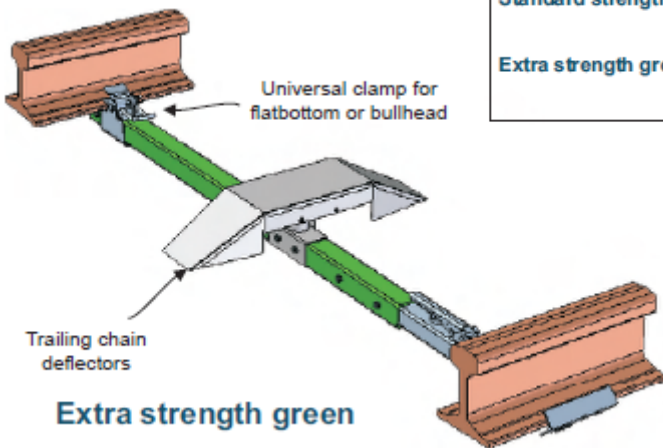
Phone: +44 (0)1752 349200
Fax: +44 (0)1752 338855
E-mail: sales@vortok.co.uk
Website: www.vortok.co.uk

Vortok ESR/TSR Equipment

ENGINEERING SOLUTIONS FOR RAILWAY MAINTENANCE



- ◆ One man operation
- ◆ No tools required
- ◆ Only 20kg weight
- ◆ Suitable for all types of rail
- ◆ Secure and lockable
- ◆ No possession required
- ◆ Suitable for 3rd rail areas
- ◆ No ballast removal required



Standard strength yellow	62/006790
Extra strength green (3rd Rail)	62/006791

Signboard Supports

For Emergency and Temporary Speed Restrictions



- ◆ Quick and easy to install
- ◆ No ballast penetration
- ◆ No CAT scanning
- ◆ One man operation
- ◆ No tools required

Also available in the UK from Unipart Rail



Vortok International

Innovation House
3 Western Wood Way
Langage Science Park
Plymouth, Devon, UK
PL7 5BG

Phone: +44 (0)1752
349200

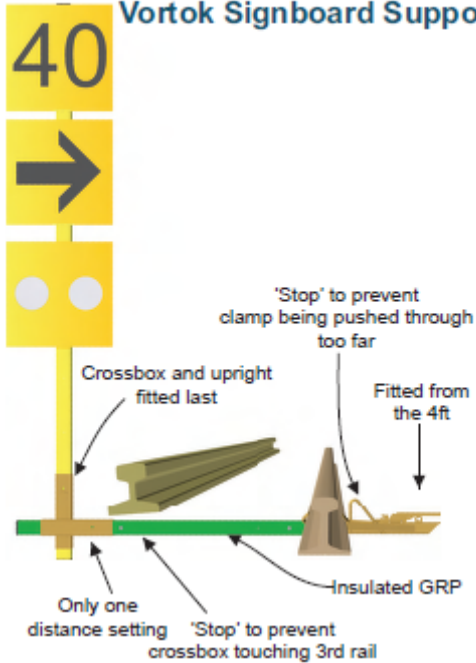
Fax: +44 (0)1752
338855

E-mail: sales@vortok.co.uk

Vortok ESR/TSR Equipment

ENGINEERING SOLUTIONS FOR RAILWAY MAINTENANCE

3rd Rail Variant of Vortok Signboard Support



- ◆ Does not blow over
- ◆ Durable and lightweight
- ◆ Fits all sizes of rail
- ◆ Adaptable for bullhead rail
- ◆ Lockable and secure

Signboard—up to 2m from running rail
57/072735

Signboard—up to 1.2m from running rail
57/072736

Signboard—DC/3rd Rail Version
57/072741



Stabiliser Spar

For use with signboard support with speeds of over 110 mph
Cat number: 57/072738



Innovation House
3 Western Wood Way
Langage Science Park
Plymouth, Devon, UK
PL7 5BG

Signboard Bullhead Adaptor

For use with signboard support for fitment on bullhead rail
Cat number: 57/072737



Phone: +44 (0)1752 349200
Fax: +44 (0)1752 338855
E-mail: sales@vortok.co.uk
Website: www.vortok.co.uk



Magnet Bullhead Adaptor

For use with Vortok AWS Magnets for fitment on bullhead rail
Cat number: 62/006792

