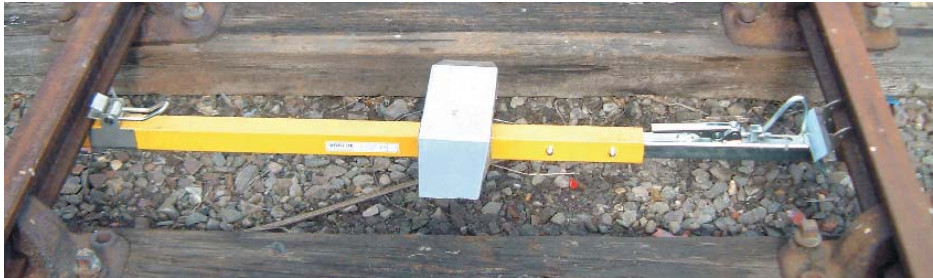


# Vortok

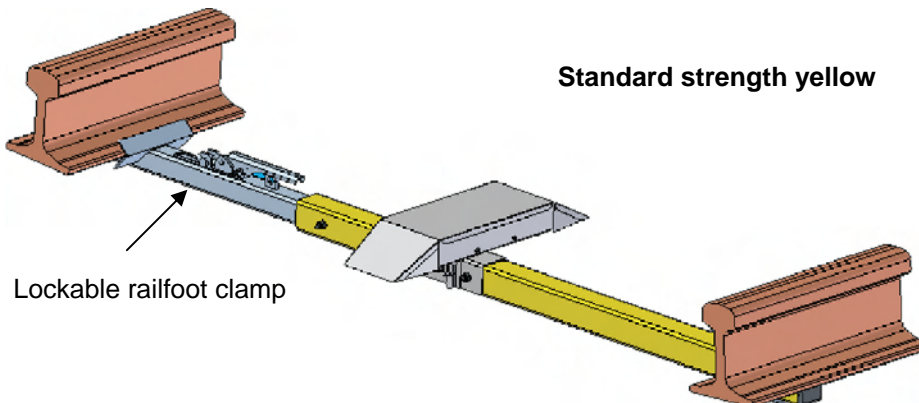
## ESR/TSR Equipment

ENGINEERING SOLUTIONS FOR RAILWAY MAINTENANCE



**Lightweight AWS Magnets**

**For Emergency and Temporary Speed Restrictions**



**VORTOK**  
INTERNATIONAL

© 2014 Vortok International

**ACCEPTED BY**  
*Network Rail*

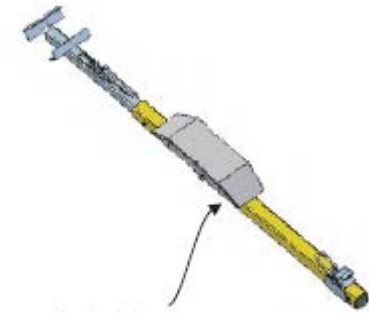
**Vortok International**

Innovation House  
3 Western Wood Way  
Langage Science Park  
Plymouth, Devon, UK  
PL7 5BG

Phone: +44 (0)1752 349200  
Fax: +44 (0)1752 338855  
E-mail: [sales@vortok.co.uk](mailto:sales@vortok.co.uk)  
Website: [www.vortok.co.uk](http://www.vortok.co.uk)

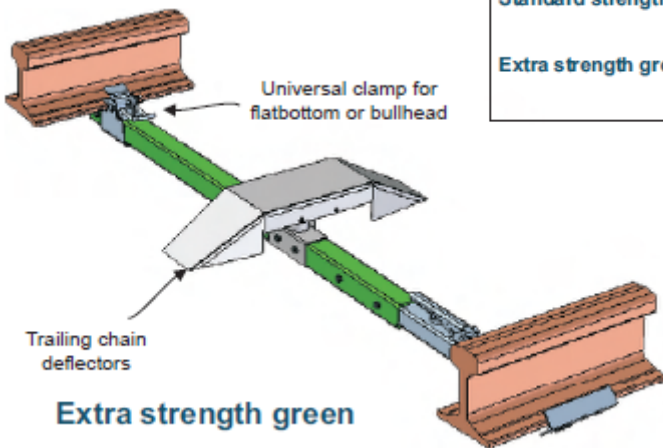
# Vortok ESR/TSR Equipment

ENGINEERING SOLUTIONS FOR RAILWAY MAINTENANCE



Head rotates for safe storage and transport

- ◆ One man operation
- ◆ No tools required
- ◆ Only 20kg weight
- ◆ Suitable for all types of rail
- ◆ Secure and lockable
- ◆ No possession required
- ◆ Suitable for 3rd rail areas
- ◆ No ballast removal required

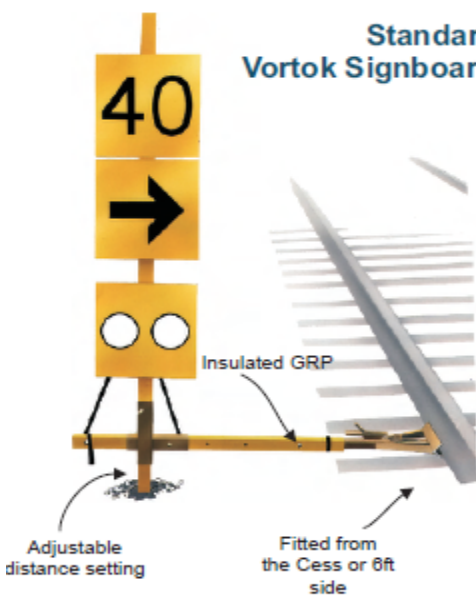


Extra strength green

Standard strength yellow	62/006790
Extra strength green (3rd Rail)	62/006791

## Signboard Supports

For Emergency and Temporary Speed Restrictions



Standard Vortok Signboard Support

- ◆ Quick and easy to install
- ◆ No ballast penetration
- ◆ No CAT scanning
- ◆ One man operation
- ◆ No tools required



## Vortok International

Innovation House  
3 Western Wood Way  
Langage Science Park  
Plymouth, Devon, UK  
PL7 5BG

Phone: +44 (0)1752  
349200

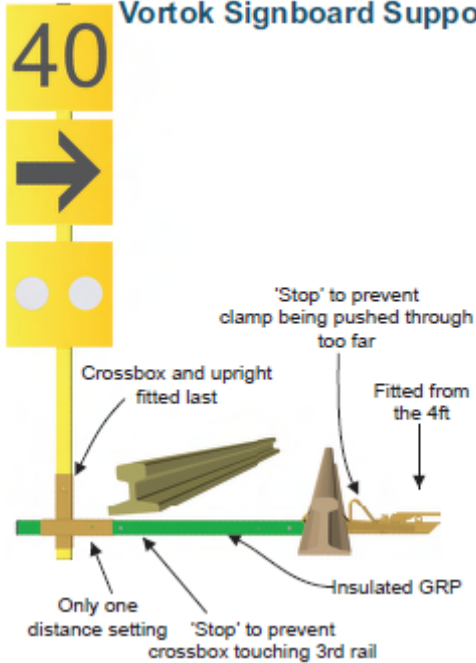
Fax: +44 (0)1752  
338855

E-mail: [sales@vortok.co.uk](mailto:sales@vortok.co.uk)

# Vortok ESR/TSR Equipment

## ENGINEERING SOLUTIONS FOR RAILWAY MAINTENANCE

### 3rd Rail Variant of Vortok Signboard Support



- ◆ Does not blow over
- ◆ Durable and lightweight
- ◆ Fits all sizes of rail
- ◆ Adaptable for bullhead rail
- ◆ Lockable and secure

Signboard—up to 2m from running rail  
57/072735

Signboard—up to 1.2m from running rail  
57/072736

Signboard—DC/3rd Rail Version  
57/072741



### Stabiliser Spar

For use with signboard support with speeds of over 110 mph  
**Cat number: 57/072738**



Innovation House  
3 Western Wood Way  
Langage Science Park  
Plymouth, Devon, UK  
PL7 5BG

Phone: +44 (0)1752 349200  
Fax: +44 (0)1752 338855  
E-mail: [sales@vortok.co.uk](mailto:sales@vortok.co.uk)  
Website: [www.vortok.co.uk](http://www.vortok.co.uk)

### Signboard Bullhead Adaptor

For use with signboard support for fitment on bullhead rail  
**Cat number: 57/072737**



### Magnet Bullhead Adaptor

For use with Vortok AWS Magnets for fitment on bullhead rail  
**Cat number: 62/006792**

